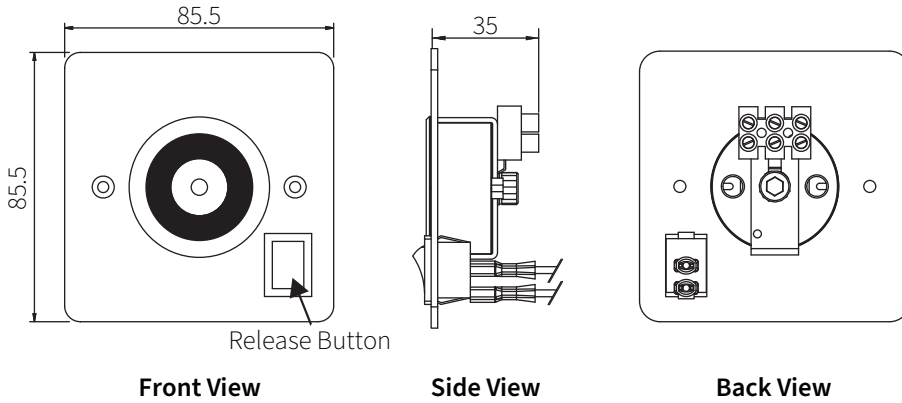


DRM24 Door Retaining Magnet Fitting Instructions

Electromagnet



Technical Data

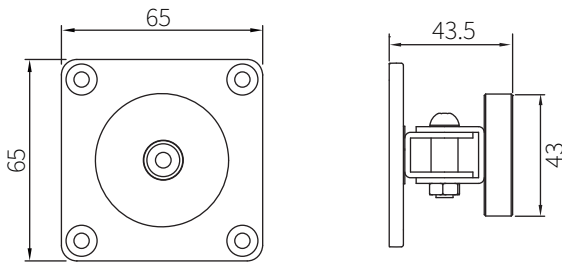
- Operating Voltage:** 24VDC
- Current Draw:** 80mA/24VDC
- Release Button:** Release Holding Force
- Holding Force:** 100 lbs
- Anti-Residual Magnetism Function**
- Stainless Steel Faceplate**

Suggested Power Supply Unit (Not Included)

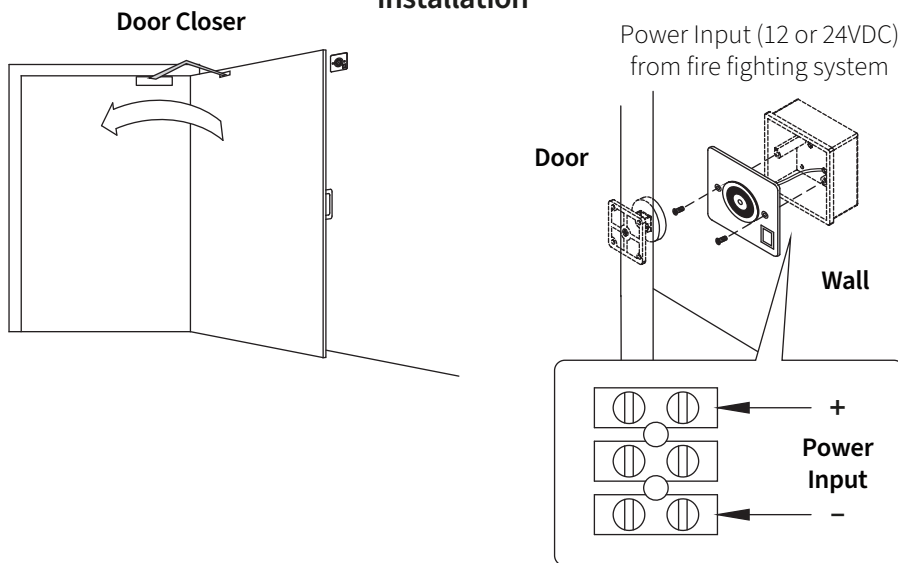
PSU24 & PSU48 24VDC Regulated PSU

A regulated 2 Amp 4 Output (PSU24) or 4 Amp 8 Output (PSU48) PSU with control module to switch electromagnetic door retainer and electromechanical door closers. The control module offers the options to switch in a fail-safe or fail-secure manner using either volt-free or a 24VDC trigger.

Armature Plate



Installation



Important Fitting Note:

When the Door Hold Open unit is used with an overhead door closer, it should be fitted at the same level as the closer. However if the Door Hold Open unit is used with a floor spring, it should be fitted at skirting board level.

Synergy Hardware Limited

Tel: 01902 893725 sales@synergyhardware.co.uk
 Fax: 01902 896746 www.synergyhardware.co.uk

Unit 2 Heath Mill Business Centre, Heath Mill Road, Wombourne, West Midlands WV5 8AP