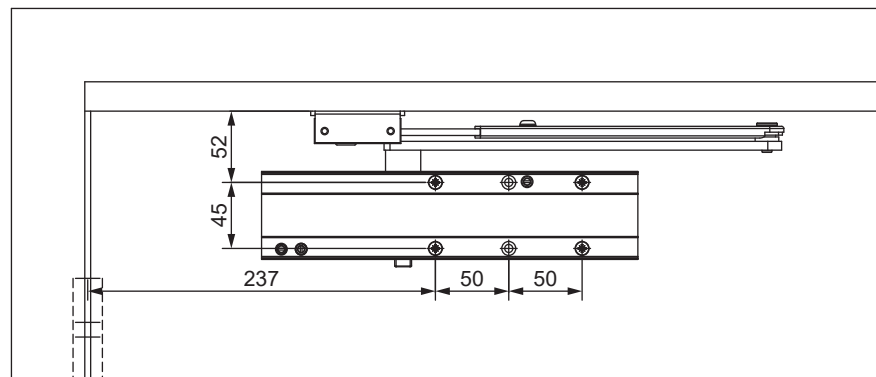
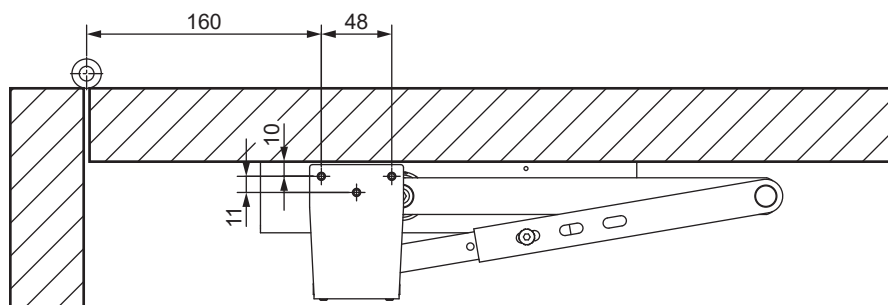


<p>1</p> <p>Using the templates provided, mark and drill pilot holes into the door and frame.</p>	<p>2</p> <p>Using the templates provided, fix the mechanism to the door as well as the arm set and parallel arm bracket.</p>	<p>3</p> <p>Adjust closing and latching speed to minimum. Rotate arm through 180°.</p>	<p>4</p> <p>Connect the main arm and link arm as illustrated. Adjust closing and latching speed as required.</p>	<p>5</p>
--	---	---	---	-----------------



- 1**

Using the templates provided, mark and drill pilot holes into the door and frame.
- 2**

Using the templates provided, fix the mechanism to the door as well as the arm set and parallel arm bracket.
- 3**

Adjust closing and latching speed to minimum. Rotate arm through 180°.
- 4**

Connect the main arm and link arm as illustrated. Adjust closing and latching speed as required.
- 5**