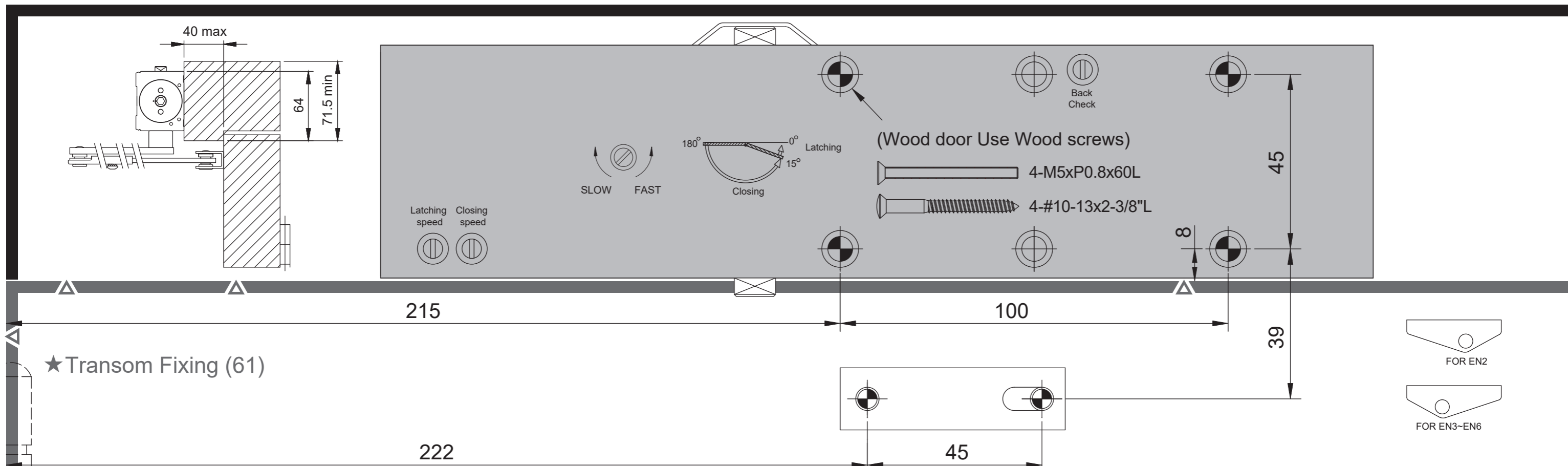


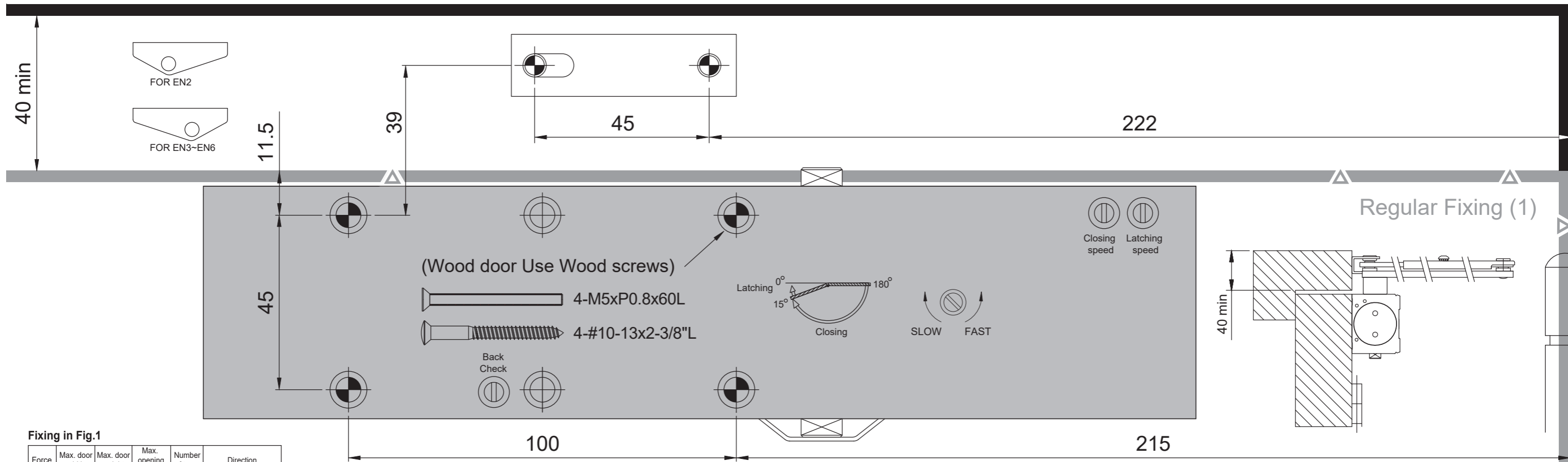
Fixing in Fig.1

Force	Max. door width	Max. door weight	Max. opening angle	Number of turns	Direction
2	850mm	40kg	180°	0	—
3	950mm	60kg	180°	0~+3	—
4	1100mm	80kg	180°	+3~+6	Clockwise
5	1250mm	100kg	180°	+6~+9	Clockwise
6	1400mm	120kg	180°	+9~+12	Clockwise

*FACTORY PRE-SET



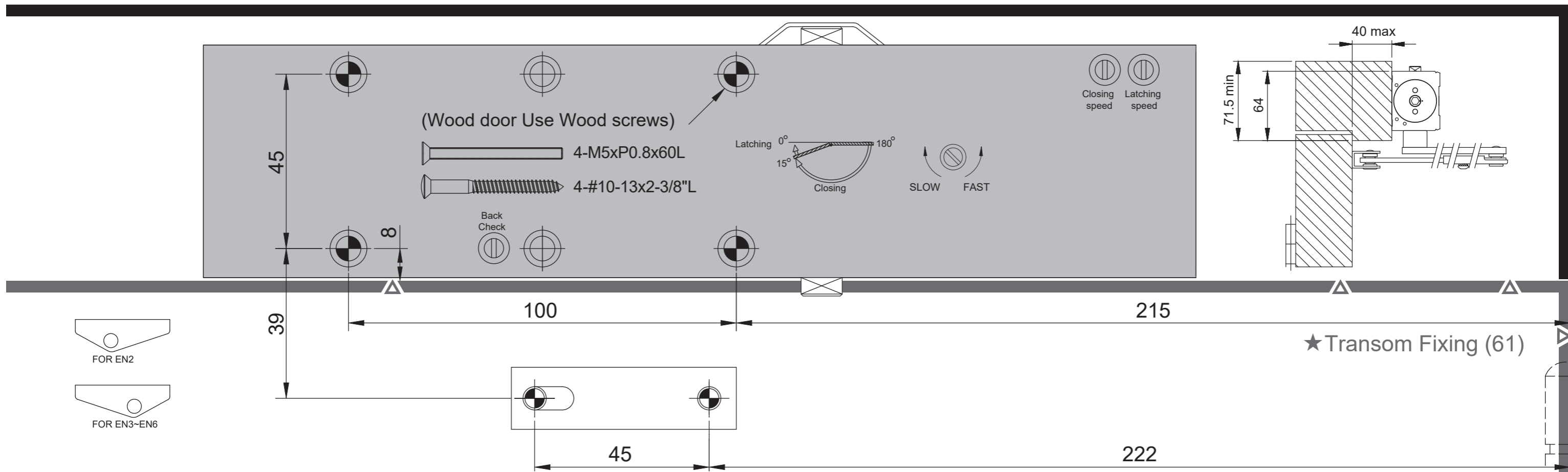
★The product falls outside of its CE & Certifire approval when used in this application.



Fixing in Fig.1

Force	Max. door width	Max. door weight	Max. opening angle	Number of turns	Direction
2	850mm	40kg	180°	0	—
3	950mm	60kg	180°	0~+3	—
4	1100mm	80kg	180°	+3~+6	Clockwise
5	1250mm	100kg	180°	+6~+9	Clockwise
6	1400mm	120kg	180°	+9~+12	Clockwise

*FACTORY PRE-SET



★ The product falls outside of its CE & Certifire approval when used in this application.