



24VDC REGULATED PSU PSU24 & PSU48

A regulated PSU with control module to switch electromagnetic door retainer and electromechanical door closers. The control module offers the options to switch in a fail-safe or fail-secure manner using either volt-free or a 24VDC trigger.

Installation Instruction

SUITABLE ONLY FOR INSTALLATION AS PERMANENTLY CONNECTED EQUIPMENT. THE UNITS MENTIONED IN THESE INSTRUCTIONS MUST NOT BE INSTALLED EXTERNALLY.

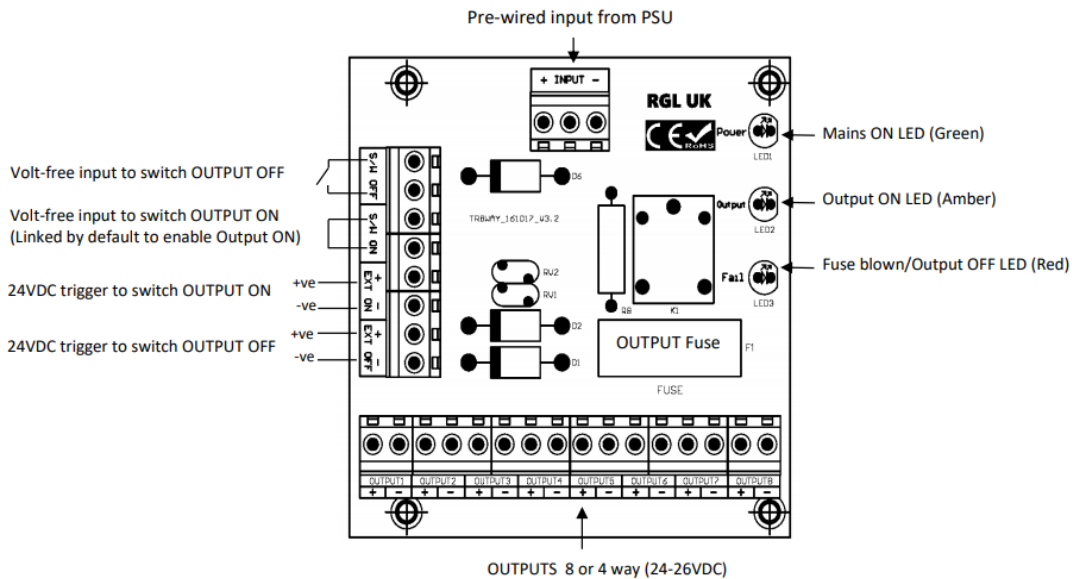
THIS PRODUCT MUST BE EARTHED

1. Mount box on a flat vertical surface in the correct orientation with hinge on the left-hand side. The PSU should be installed to allow maximum air movement. Avoid areas that are subject to high temperature and/or humidity.
2. Connect a suitable mains supply with an external disconnect device. This must be a 3A fused unswitched spur installed by a qualified electrician certified to Part P.
3. Remove mains fuse
4. Connect the load and all associated wiring. The OUTPUT terminals are marked O/P + -. The cable size for the load should be rated to carry the load current for each device connected to the PSU. Ensure the S/W ON terminal has a link(wire) in it to enable always ON output. To change this, follow the instructions in the next section.
5. Mains and low voltage cables should be routed separately. Where entry/exit holes are used in the cabinet, the closed fitting cable protective bushes should be used. All cables should be securely fastened within the cabinet with cable ties.
6. Refit mains fuse
 - a) Confirm Green LED for mains is lit
 - b) Ensure the output voltage is 24-26VDC approx.
7. Ensure Green/Yellow earth lead is connected correctly to lid earthing tab. Close the lid and secure with screw provided.

Specification

Synergy Model No.	PSU24	PSU48
Input Voltage / Current	230VAC +10-15% 250mA(2A) / 500mA(4A)	
Output current	2A	4A
Output Voltage	24-26VDC	
Mains LED	Green	
Output LED	Amber	
Fault LED	Red	
Mains fuse	T2.0A	
Output fuse	F2A	F4A
Dimensions	200(L) x 200(W) x 65(H) mm	

Wiring Diagram



NOTE- The cable size for the load should be rated to carry the load current for each device connected to the PSU

Operation

1. The unit has 4 inputs to switch the output.

There is pair of volt-free and voltage trigger inputs to switch the output ON or OFF.

2. By default, the S/W ON input is linked out to enable the Output to be always ON. This means that either the S/W OFF or EXT OFF inputs can be used to switch the OUTPUT OFF. The S/W inputs are volt-free.

3. The EXT ON/OFF inputs accept 10 – 30 VDC external voltage signals to trigger the OUTPUT to switch ON or OFF depending on the application. The OUTPUT will revert to default upon removing the external trigger(s).

4. The OUTPUT active LED is the AMBER LED.

5. The RED LED is lit when either the OUTPUT fuse is blown or the OUTPUT is not switched ON.

6. Always ensure that the output fuse is replaced with the correct rating in accordance with the output current.